



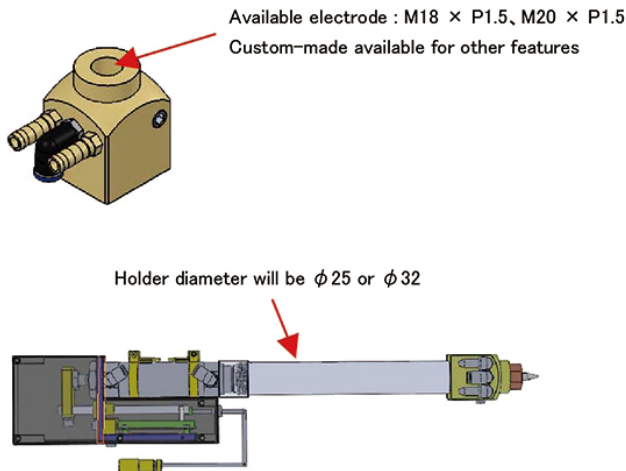
NMJ-006S



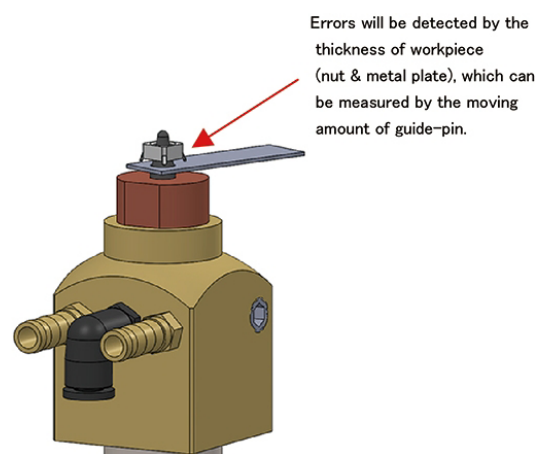
Features

- Prevents nut welding failures.
- Detects nut position failures, size failures, overturns, and other failures which causes poor welding.
- Can be used a bolt manager by replacing the electrode.
- Can detect overlapping nuts by installing the optional proximity sensor.

Compatible Models



System



Detected Error Examples

